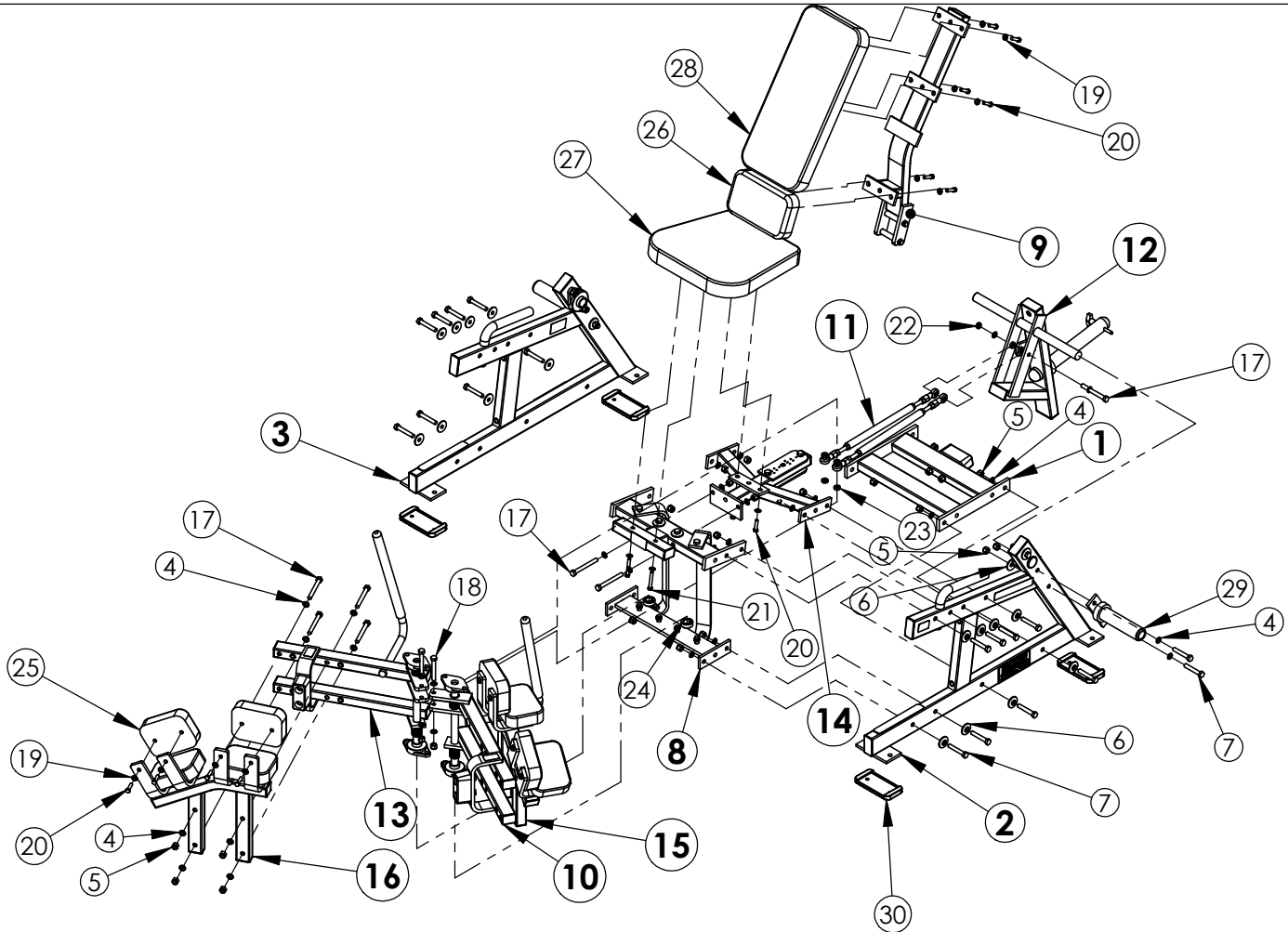


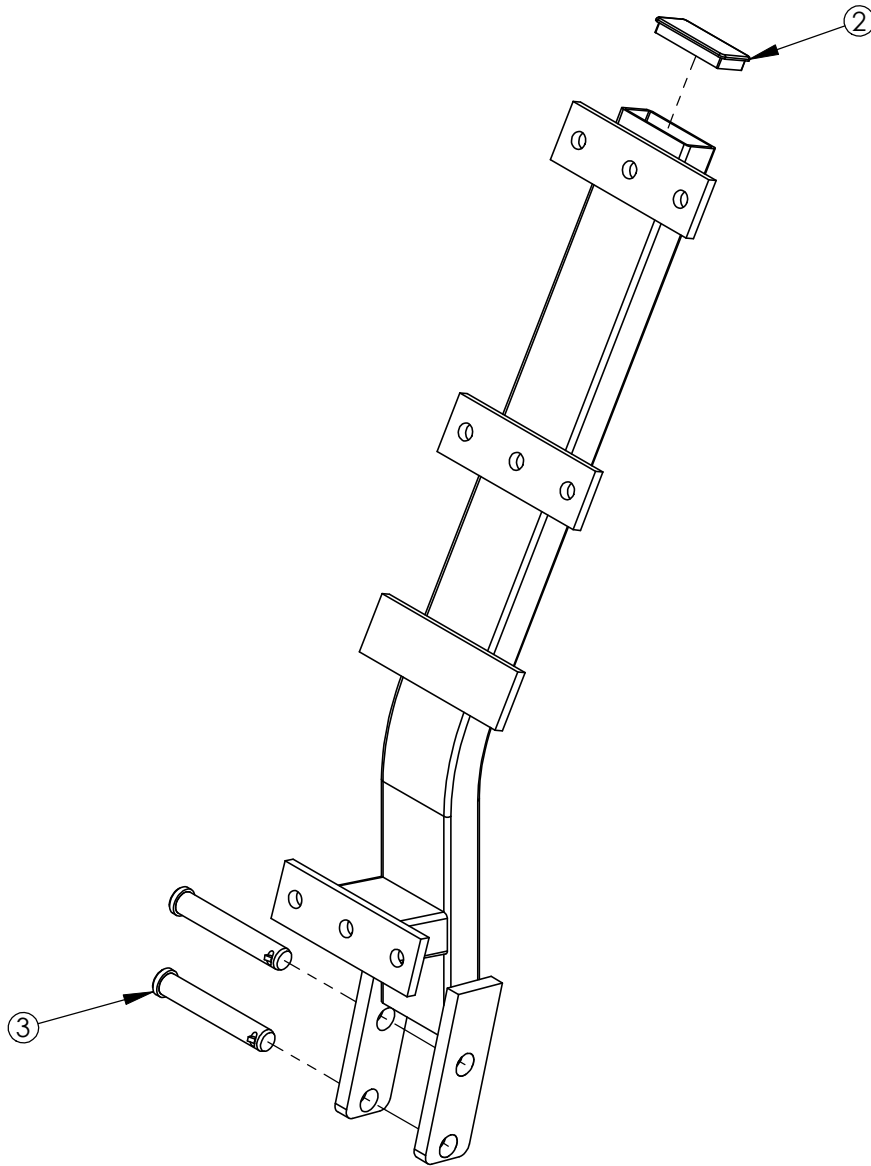
WEIGHT = 263.9 lb
LENGTH = 52"
WIDTH = 57"
HEIGHT = 47"

HAMMER STRENGTH EQUIPMENT PLADD EXPLODED



ITEM NO.	QTY.	PART NO.	DESCRIPTION
1	1	PLADD-CBX-0	ASSY, PLADD, BOTTOM FRAME
2	1	PLADD-CSFL-1	ASSY, PLADD, LEFT SIDE FRAME
3	1	PLADD-CSFR-1	ASSY, PLADD, RIGHT SIDE FRAME
4	40	WASH.5STAR	1/2" INTERNAL LOCK WASHER
5	29	NUT.5LOCK	1/2 DIA THICK LOCK NUT
6	18	H-BACK-WASH	BACKING WASHER
7	20	HHB.5X3	1/2 X 3 BOLT
8	1	PLADD-CWB-0	ASSY, PLADD, WORKBOX
9	1	PLADD-CAJST-0	ASSY, PLADD, ADJ. SEAT BACK
10	1	PLADD-CMAL-1	ASSY, PLADD, LEFT MOVEMENT ARM
11	2	PLADD-RX-0	WLDMT, PLADD, DRIVE ROD
12	1	PLADD-CHX-2	ASSY, PLADD, WEIGHT ROD
13	1	PLADD-CMAR-1	ASSY, PLADD, RIGHT MOVEMENT ARM
14	1	PLADD-CST-0	ASSY, PLADD, SEAT FRAME
15	1	PLADD-CETCL-0	ASSY, PLADD, PAD MOUNT LEFT
16	1	PLADD-CETCR-0	ASSY, PLADD, PAD MOUNT RIGHT
17	8	HHB.5X4.5	1/2 X 4 1/2 BOLT
18	2	HHB.5X3.5	1/2 X 3 1/2 BOLT
19	26	WASH.375SAE	3/8" SAE FLAT WASHER
20	24	HHB.375X1.5	STEEL BOLT 3/8 X 1.5
21	2	HHB.375X2.5	STEEL BOLT 3/8 X 2.5
22	1	NUT.5JAMLOCK	1/2 THIN LOCK NUT
23	8	AB-AD SPACER	AD-AB SPACER
24	2	H-LCOLLAR1	1" LOCK COLLAR
25	8	U-7-4.5	LEG PADS
26	1	U-10-4.5S-NC	PAD, 10-4.5
27	1	U-16-11	16X11 PAD
28	1	U-24-10	24X10 PAD
29	2	H-HORN-ASSY	ASSY, WEIGHT HORN
30	4	MM-9	3 X 6 FLANGE RUBBER SLIPPER

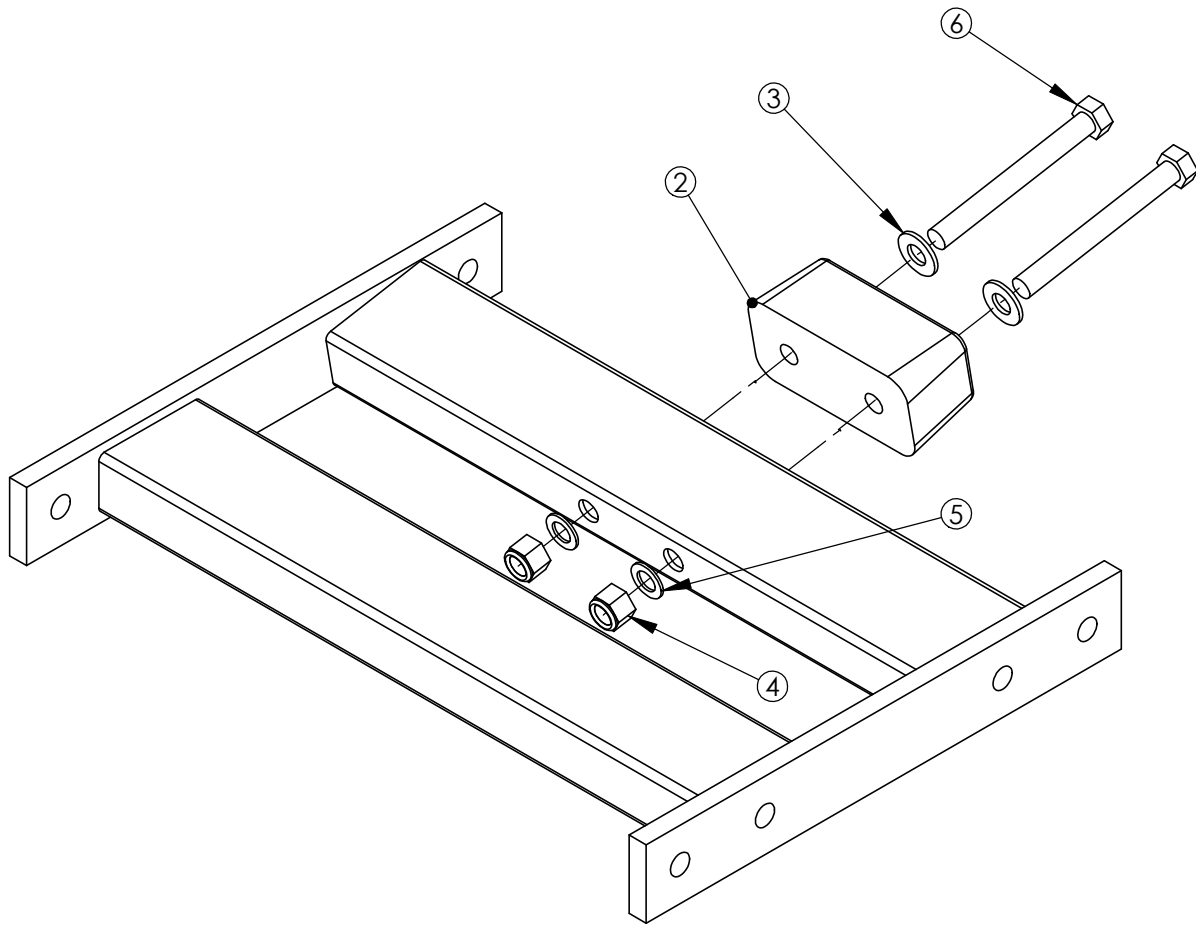
HAMMER STRENGTH EQUIPMENT
PLADD-CAJST-0, ASSY, PLADD, ADJ. SEAT BACK



WEIGHT = 20 lb
 LENGTH = 35"
 WIDTH = 6"
 HEIGHT = 7 1/8"

ITEM NO.	QTY.	PART NO.	DESCRIPTION
2	1	RC1530-1Q1	CAP:1-1/2 X 3 RECTANGLE PLUG
3	2	STD SEAT PIN	LONG SEAT PIN (HDADJ)

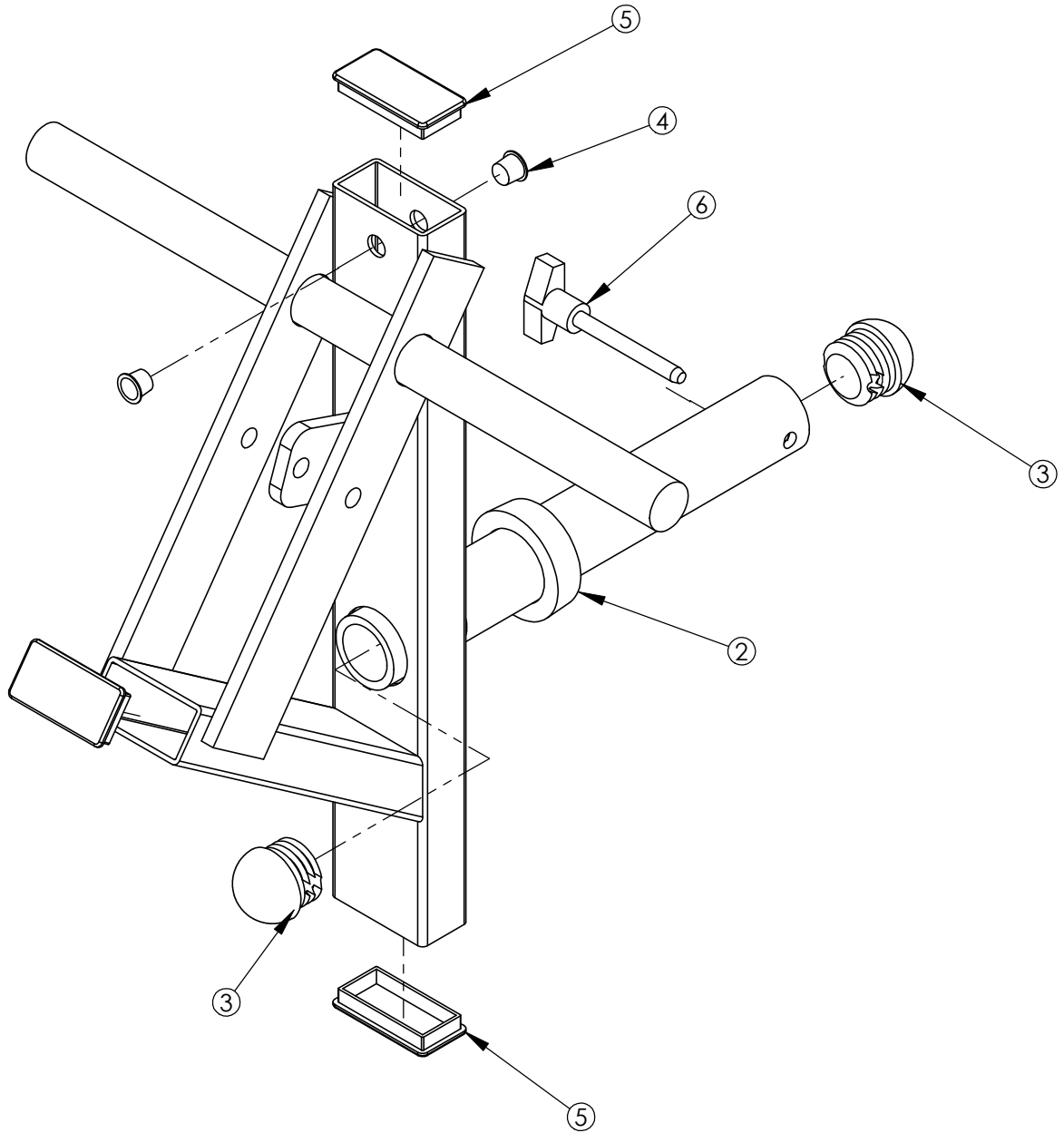
**HAMMER STRENGTH EQUIPMENT
 PLADD-CBX-0, ASSY, PLADD, BOTTOM FRAME**



ITEM NO.	QTY.	PART NO.	DESCRIPTION
2	1	H-BUMP-MED	MM2 MEDIUM
3	2	WASH.5SAE	1/2" SAE FLAT WASHER
4	2	NUT.5LOCK	1/2 DIA THICK LOCK NUT
5	2	WASH.5STAR	1/2" INTERNAL LOCK WASHER
6	2	HHB.5X4.5	1/2 X 4 1/2 BOLT

WEIGHT = 19 lb
 LENGTH = 14"
 WIDTH = 18 3/4"
 HEIGHT = 2 1/2"

**HAMMER STRENGTH EQUIPMENT
 PLADD-CHX-2, ASSY, PLADD, WEIGHT ROD**

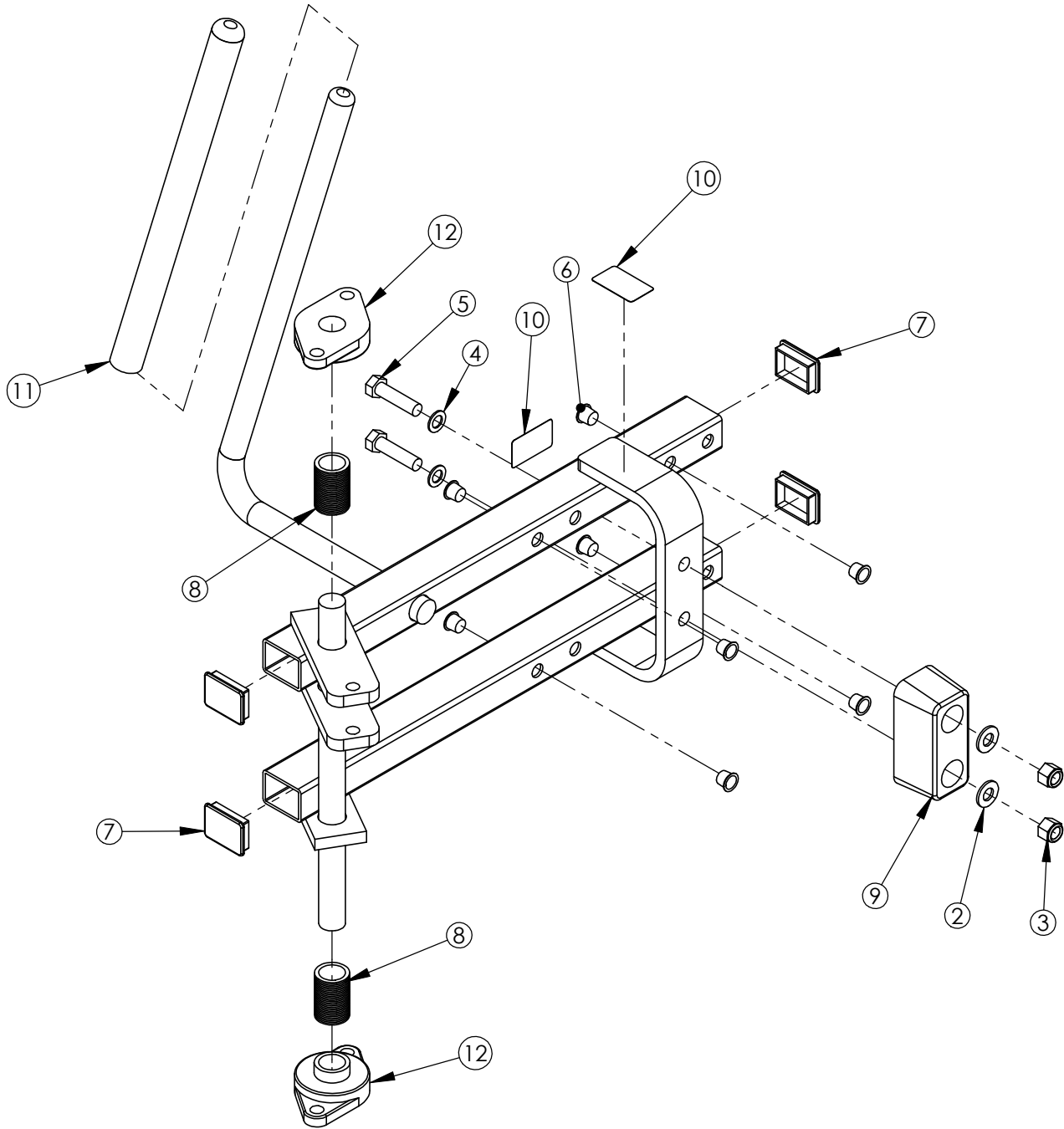


ITEM NO.	QTY.	PART NO.	DESCRIPTION
2	1	H-RUBRNG	MM5 RING
3	2	RUBCAP1-2	RUBBER CAP #1
4	3	H-HPLUG (REG)	9/16IN HOLE PLUG
5	3	RC1530-1Q1	CAP:1-1/2 X 3 RECTANGLE PLUG
6	1	SELECTOR PIN-3	SELECTOR PIN 3 IN.

WEIGHT = 26 lb
 LENGTH = 21 1/4"
 WIDTH = 20 1/4"
 HEIGHT = 20 1/4"

HAMMER STRENGTH EQUIPMENT

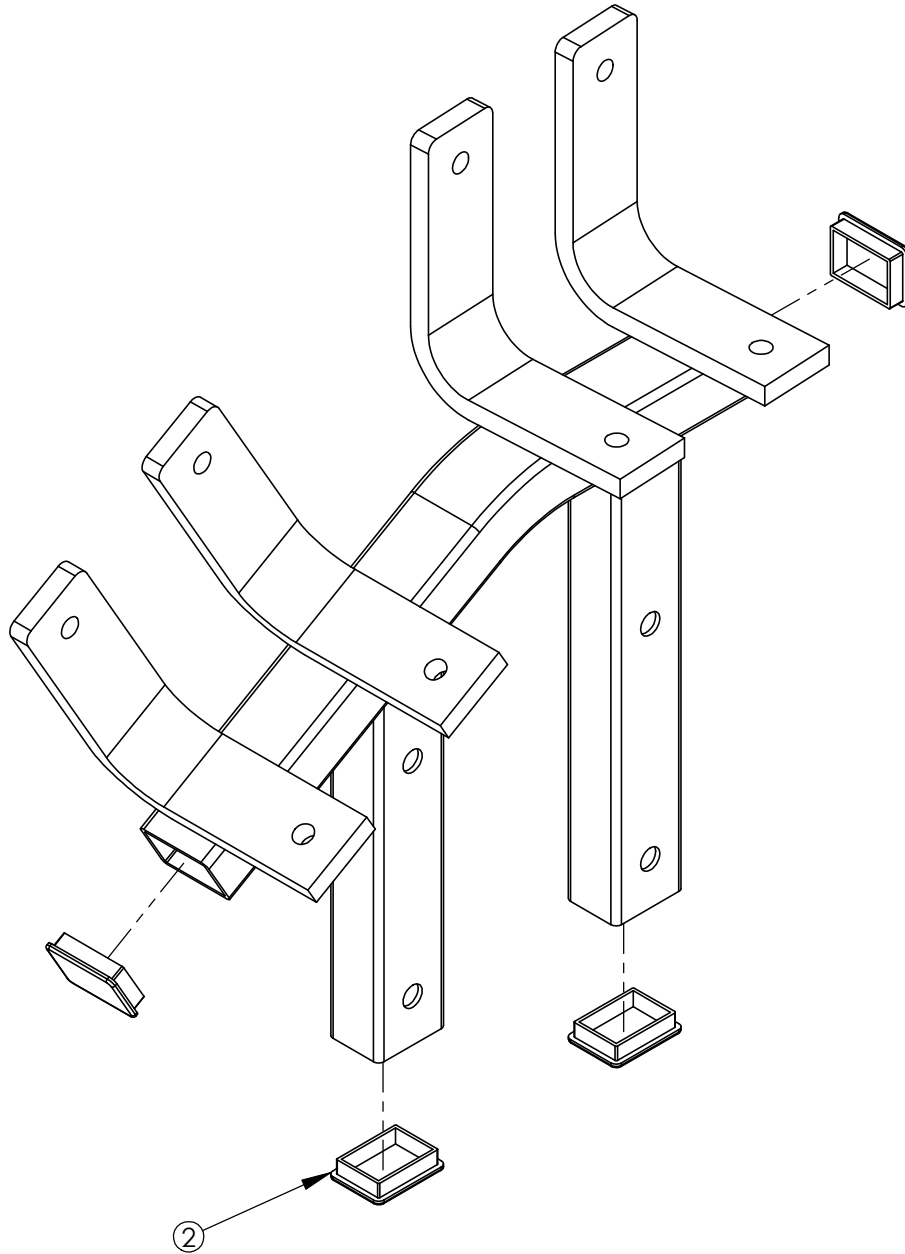
PLADD-CMAL-1, ASSY, PLADD, LEFT MOVEMENT ARM



ITEM NO.	QTY.	PART NO.	DESCRIPTION
2	2	WASH.5SAE	1/2" SAE FLAT WASHER
3	2	NUT.5LOCK	1/2 DIA THICK LOCK NUT
4	2	WASH.5STAR	1/2" INTERNAL LOCK WASHER
5	2	HHB.5X2	1/2 X 2 BOLT
6	8	H-HPLUG (REG)	9/16IN HOLE PLUG
7	4	RC1520-1Q1	CAP:1-1/2 X 2 RECTANGLE PLUG
8	2	ACCORDIAN	SHAFT GUARD
9	1	H-BUMP-MED	MM2 MEDIUM
10	2	STAY CLEAR	STAY CLEAR DECAL
11	1	H-GRIP	HANDLE GRIPS (.938X16)
12	2	H-BEAR-SML	SMALL BEARING

WEIGHT = 24.5 lb
 LENGTH = 23 5/8"
 WIDTH = 16"
 HEIGHT = 30 1/8"

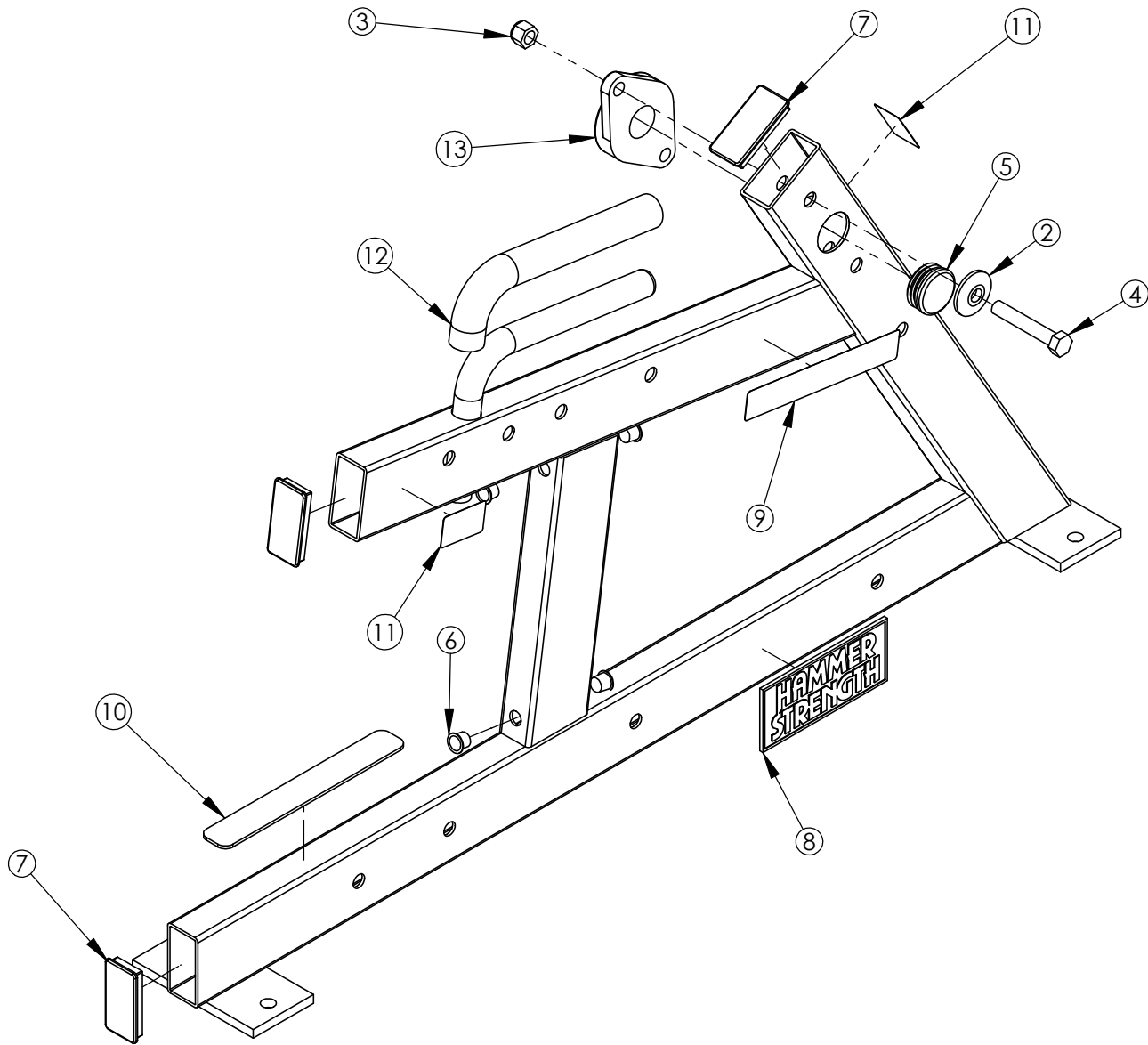
HAMMER STRENGTH EQUIPMENT
PLADD-CETCL-0, ASSY, PLADD, PAD MOUNT LEFT



WEIGHT = 22 lb
LENGTH = 19 5/8"
WIDTH = 7"
HEIGHT = 19 7/8"

ITEM NO.	QTY.	PART NO.	DESCRIPTION
2	4	RC1520-1Q1	CAP:1-1/2 X 2 RECTANGLE PLUG

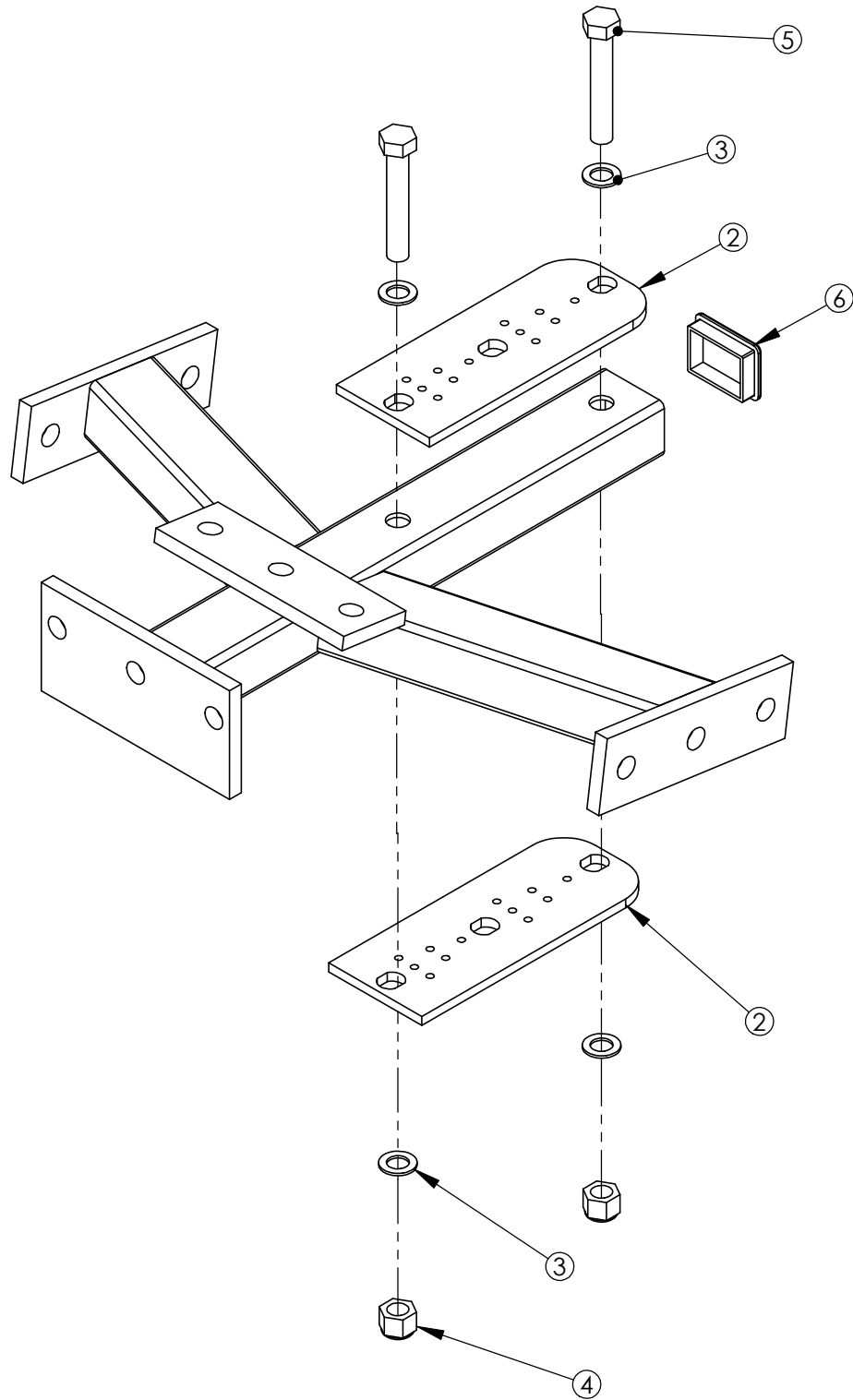
**HAMMER STRENGTH EQUIPMENT
PLADD-CSFL-1, ASSY, PLADD, LEFT SIDE FRAME**



ITEM NO.	QTY.	PART NO.	DESCRIPTION
2	1	H-BACK-WASH	BACKING WASHER
3	1	NUT.5LOCK	1/2 DIA THICK LOCK NUT
4	1	HHB.5X3	1/2 X 3 BOLT
5	1	H-LOCK-PLUG(LARGE)	LARGE LOCKING PLUG
6	4	H-HPLUG (REG)	9/16IN HOLE PLUG
7	3	RC1530-1Q1	CAP:1-1/2 X 3 RECTANGLE PLUG
8	1	H-NAME PLATE	NAMEPLATE (45156-P)
9	1	ADDUCTOR	PRODUCT DECAL
10	1	NONSKID 1 X 9	PLASTIC NON SKID STRIP 1 X 9
11	2	STAY CLEAR	STAY CLEAR DECAL
12	1	H-GRIP	HANDLE GRIPS (.938X16)
13	1	H-BEAR-LGE	LARGE BEAR - EFHSFTJ206-20G

WEIGHT = 37 lb
 LENGTH = 43 7/8"
 WIDTH = 6"
 HEIGHT = 22 1/8"

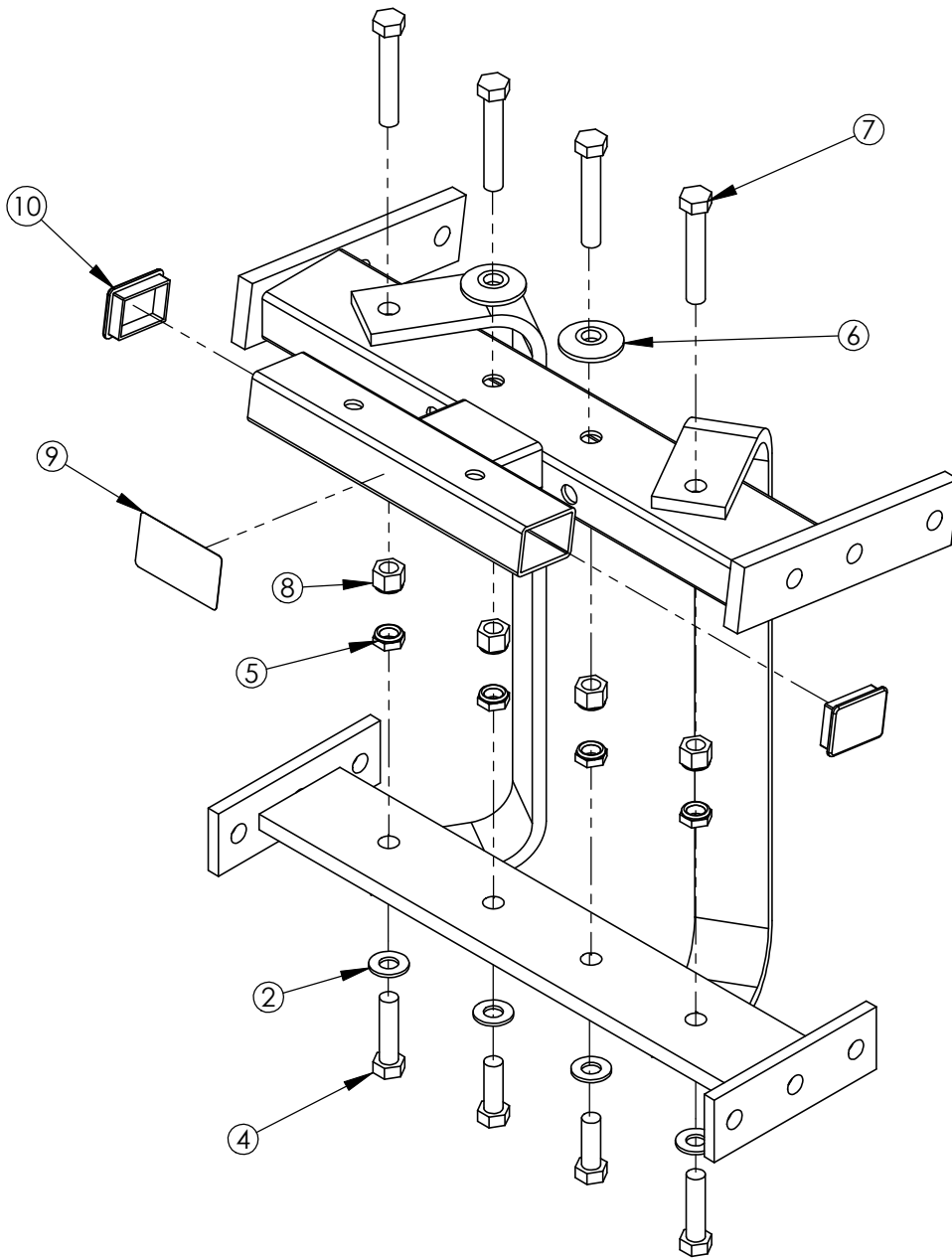
**HAMMER STRENGTH EQUIPMENT
 PLADD-CST-0, ASSY, PLADD, SEAT FRAME**



ITEM NO.	QTY.	PART NO.	DESCRIPTION
2	2	H-SEATRCKS-SHORT	ORIGINAL SEAT RACK
3	4	WASH.5STAR	1/2" INTERNAL LOCK WASHER
4	2	NUT.5LOCK	NLA 1/2 THICK LOCK NUT
5	2	HHB.5X3	1/2 X 3 Bolt
6	1	RC1520-1Q1	CAP:1-1/2 X 2 RECTANGLE PLUG

WEIGHT = 14 lb
 LENGTH = 16"
 WIDTH = 18 3/4"
 HEIGHT = 3 7/8"

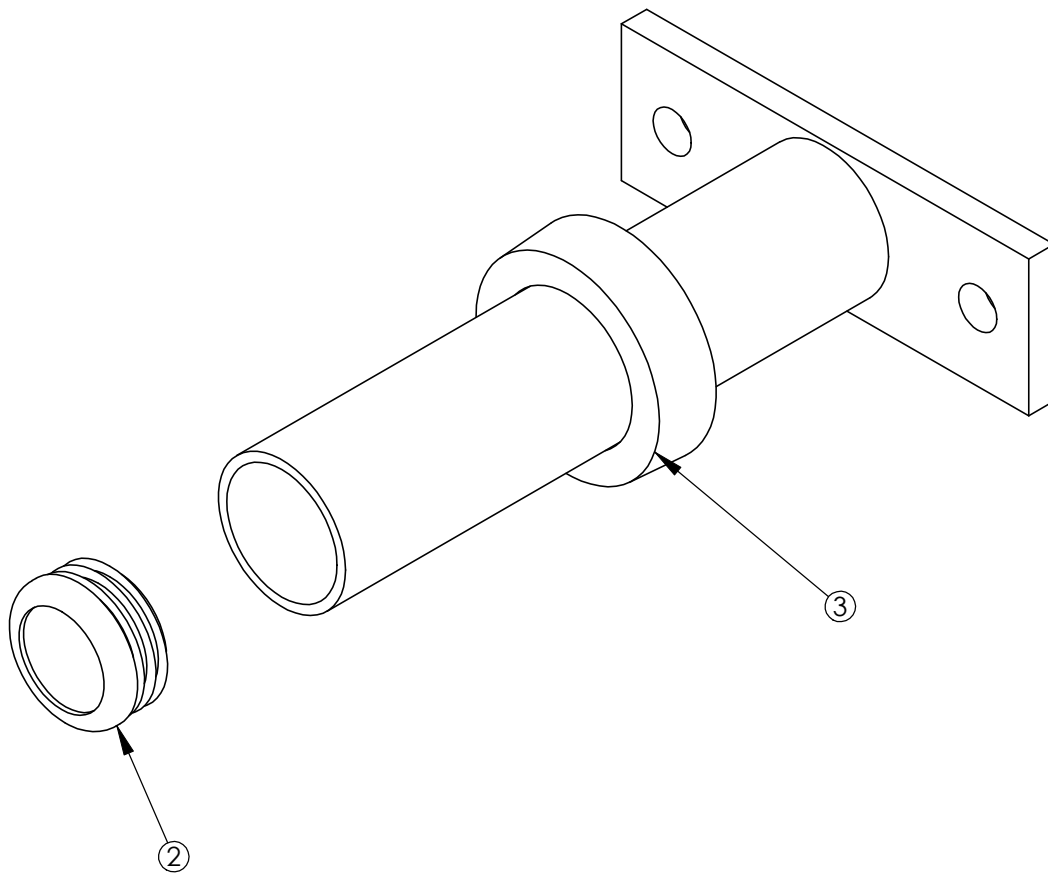
**HAMMER STRENGTH EQUIPMENT
 PLADD-CWB-0, ASSY, PLADD, WORKBOX**



ITEM NO.	QTY.	PART NO.	DESCRIPTION
2	4	WASH.5SAE	1/2" SAE FLAT WASHER
3	2	HHB.5X1.5	BOLT, HEX HEAD 1/2 X 1-1/2
4	2	HHB.5X2	1/2 X 2 BOLT
5	4	NUT.5JAMLOCK	1/2 THIN LOCK NUT
6	2	H-BACK-WASH	BACKING WASHER
7	4	HHB.5X3	1/2 X 3 BOLT
8	4	NUT.5LOCK	1/2 DIA THICK LOCK NUT
9	1	SERIAL NUMBER	SERIAL NUMBER
10	2	RC1520-1Q1	CAP:1-1/2 X 2 RECTANGLE PLUG

WEIGHT = 36 lb
 LENGTH = 12"
 WIDTH = 18"
 HEIGHT = 19 5/8"

HAMMER STRENGTH EQUIPMENT
H-HORN-ASSY, ASSY, WEIGHT HORN



WEIGHT = 3 1/4 lb
 LENGTH = 8 5/8"
 WIDTH = 6"
 HEIGHT = 3"

ITEM NO.	QTY.	PART NO.	DESCRIPTION
2	1	8078001	CAP, END 1.75 DIA RD 14-20 GA
3	1	H-RUBRNG	MM5 RING